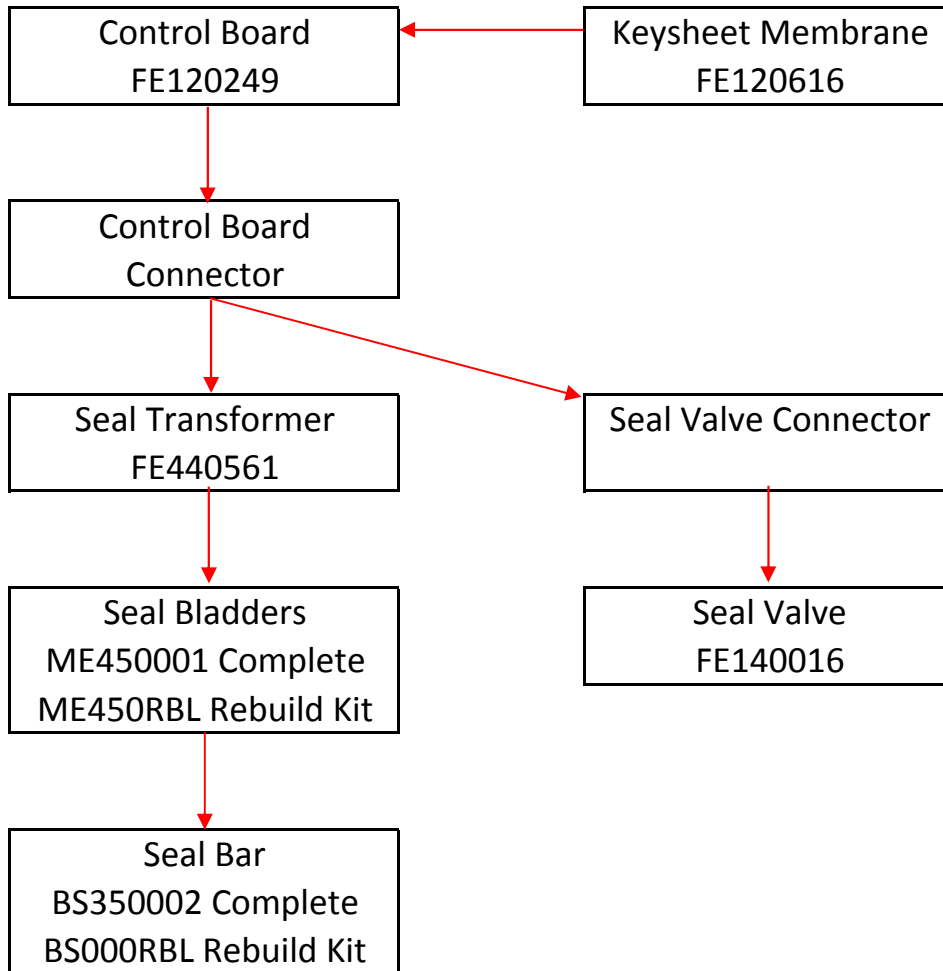


MVS 31X Sealing



↓ Power and Signal lines
are of the same values.
120 volt AC