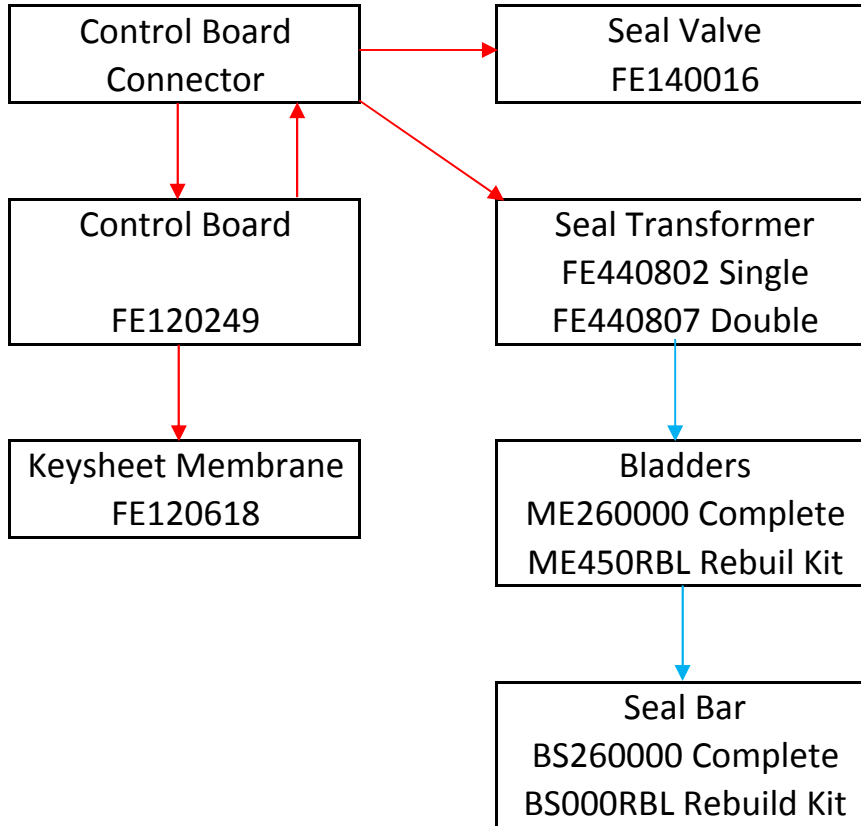




## MVS 26X Sealing Block Diagram



 Power and Signal Lines  
 are of the same value.  
 120 volt AC

 Transformed Line  
 17 volt AC