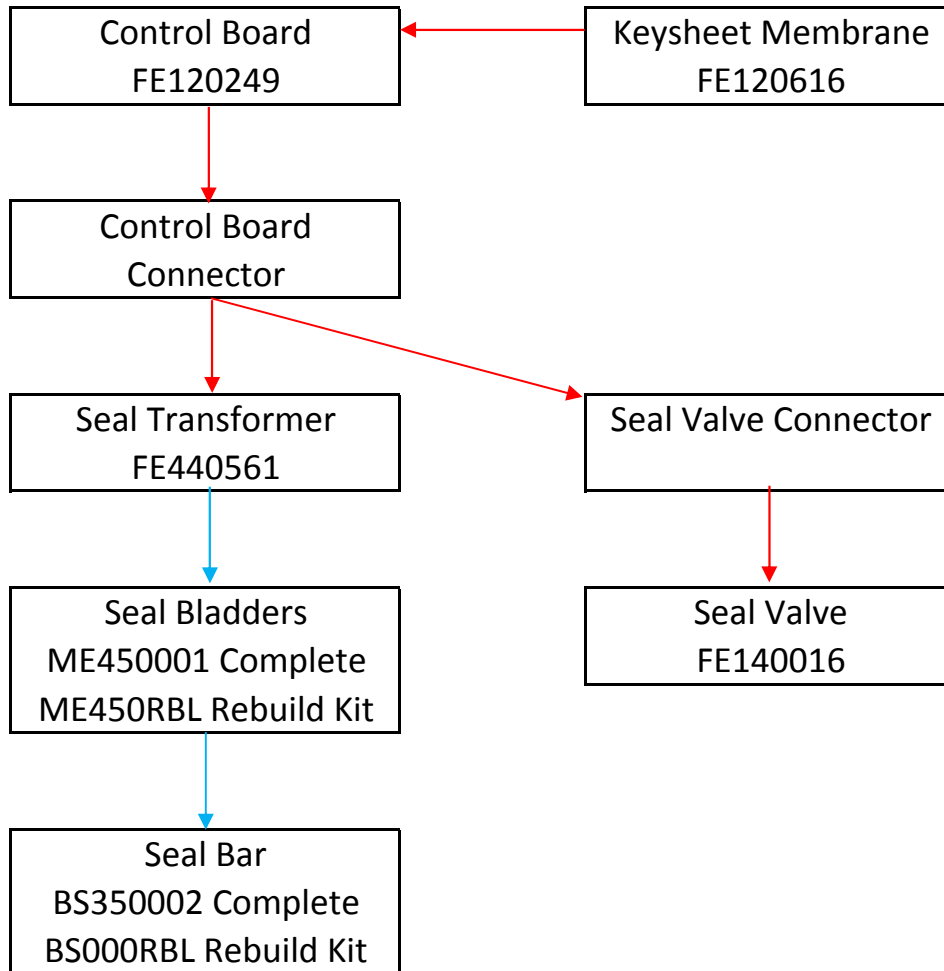


MVS 35X Sealing



↓ Power and Signal lines
are of the same values
120 volt AC

↓ Transformed Line
19 volt AC